

Acoustic Solutions

Effective noise reduction

Enhanced thermal protection

Interior & exterior use

Acoustic Solutions

Acoustic comfort has a major impact on the way a space is experienced. In our increasingly urbanised world, it's seldom possible to stop unwanted noise at the source. Instead, the task of blocking it out falls to the materials with which our homes, offices and public buildings are built.

Regrettably, many buildings still use ordinary glass, allowing an easy path for noise intrusion. Acoustic performance glass from Viridian is the proven, superior alternative. Suitable for use with solar control and double glazing applications, our acoustic glass solutions dramatically reduce noise penetration.



Two quiet achievers.

Two distinct, yet complementary products make up the comprehensive Viridian acoustic performance range – VLam Hush™ and ComfortHush™. Suited to a wide range of applications, and available in a choice of colours, both are engineered to protect peace and quiet, whilst preserving views to the world outside.

VLam Hush™ provides enhanced protection from UV light, helping protect your interior furnishings from fading, whilst ComfortHush™ includes a Low-E coating to provide enhanced thermal insulation.

A solution for every application.

From small cafes on busy roads, or schools positioned alongside train tracks, to the largest commercial buildings and airports, VLam Hush™ and ComfortHush™ give you premium acoustic options for a diverse range of applications.



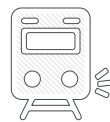
Normal Conversation
60dB



Dog Barking
70dB
2x as loud as 60dB



Loud Traffic
80dB
4x as loud as 60dB



Train Whistle at 150m
90dB
8x as loud as 60dB



Lawn Mower
100dB
16x as loud as 60dB



Rock Concert
115dB
48x as loud as 60dB

The nature of the decibel scale illustrates how a small variation in decibels equates to quite a large difference in what we actually hear.

	COLOUR	THICKNESS	RW	VLT	VRO	VRI	ST	SR	UVT	UVAL	SHGC	SC	(kg/m ²) WEIGHT
VLam Hush™	Clear	6.5mm	36	87	8%	8%	71	7	<1%	5.7	0.78	0.90	15.5
		8.5mm	37	87	8%	8%	71	7	<1%	5.7	0.78	0.90	20.5
		10.5mm	38	85	8%	8%	65	7	<1%	5.6	0.74	0.89	25.5
		12.5mm	40	85	8%	8%	64	6	<1%	5.5	0.73	0.88	30.5
	Grey	6.88mm	36	42	5%	5%	45	5	<1%	5.7	0.61	0.70	15.9
		10.88mm	38	41	5%	5%	41	5	<1%	5.5	0.58	0.67	25.9
		12.88mm	40	41	5%	5%	40	5	<1%	5.5	0.58	0.66	30.9
	Translucent	6.88mm	36	68	7%	7%	58	6	<1%	5.7	0.69	0.80	15.9
10.88mm		38	66	7%	7%	53	6	<1%	5.5	0.66	0.76	25.9	
12.88mm		40	66	7%	7%	52	6	<1%	5.5	0.65	0.75	30.9	
ComfortHush™	Clear	6.5mm	36	81	11%	11%	62	9	<1%	3.6	0.67	0.79	15.5
		10.5mm	38	80	10%	11%	57	9	<1%	3.6	0.64	0.74	25.5
	Neutral	6.5mm	36	60	8%	10%	42	7	<1%	3.6	0.52	0.60	15.5
		10.5mm	38	59	8%	10%	38	7	<1%	3.6	0.49	0.58	25.5
	Grey	6.88mm	36	39	6%	9%	39	6	<1%	3.6	0.50	0.57	15.9
		10.88mm	38	38	6%	9%	35	6	<1%	3.5	0.47	0.53	25.9
	Translucent	6.88mm	36	63	8%	10%	51	7	<1%	3.6	0.59	0.67	15.9
		10.88mm	38	62	8%	10%	46	7	<1%	3.6	0.56	0.63	25.9

- RW** Weighted Sound Reduction Index
- VLT** Visible Light Transmission
- VRO** Visible Reflectance Out
- VRI** Visible Reflectance In
- ST** Solar Transmission
- SR** Solar Reflectance
- UVT** UV Transmission
- UVAL** U-Value
- SHGC** Solar Heat Gain Coefficient
- SC** Shading Coefficient

Windows and doors must also use the correct framing and be firmly sealed to prevent noise passing through. A full assessment of the entire building is required in order to develop an adequate acoustic solution.

VLam Hush™

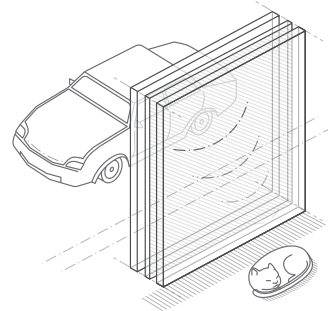
VLam Hush™ uses a specifically developed acoustic interlayer that targets sounds in the high frequency range – the most sensitive range of human hearing. This level of sound reduction would normally demand a much thicker, far heavier product.

Viridian's acoustic interlayer is the key. Intentionally formulated to absorb sound, it creates a bonding interlayer between two sheets of glass, resulting in a light yet highly effective laminated glass.

Strong, safe and durable.

Tested and certified to Grade A Safety Glass standards, VLam Hush™ can be used with absolute confidence in a wide range of internal and external applications.

Not only a highly effective sound insulator, VLam Hush™ can be incorporated into a double glazed unit with a range of products for different thermal and solar performance.



Above left Loreto College, Melbourne by Architectus Melbourne. Above right Plaza Tavern, Hoppers Crossing by The Buchan Group. Opposite, left image Port Melbourne Football Pavilion by K20 Architects. Flap St Michael's Grammar, Melbourne by Architectus Melbourne.

ComfortHush™

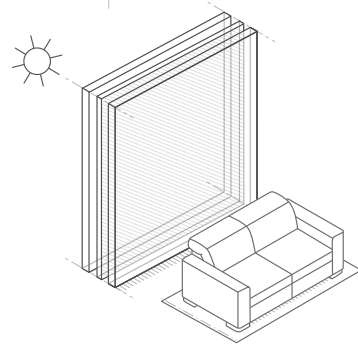
ComfortHush™ is also a laminate comprised of two glass outer layers bonded to an acoustic interlayer, but unlike VLam Hush™, it also includes a Low-E coating to provide up to 39% better thermal insulation than ordinary glass.*

This means that you will not only be protected from external noise, but the inside of your home or building will stay cooler in summer and warmer in winter.

Beat the heat.

The Low-E coating applied to ComfortHush™ allows light to pass through without emitting radiant heat, maximising both natural illumination and energy efficiency.

ComfortHush™ doesn't just put big ticks in the acoustic and thermal comfort boxes; it also helps to protect your interior furnishings from fading by eliminating 99% of Ultra Violet (UV) light.



*Compared to 4mm clear float glass.

For more information.

For additional product details or information regarding specifying and ordering, please contact your local Viridian representative.

Visit our website
www.viridianglass.com
or call 1800 810 403

Features.

APPLICATIONS

Internal

- Doors
- Partitions

External

- Facade
- Windows

COLOUR, THICKNESS & MAXIMUM SIZE

COLOUR	THICKNESS (MM)	MAXIMUM SIZE (MM)
VLam Hush™		
Clear	6.5	5100 x 3210
	8.5	3660 x 2440
	10.5	3660 x 2440
	12.5	5100 x 3210
Grey	6.88	5100 x 3210
	10.88	3660 x 2440
	12.88	3660 x 2440
Translucent	6.88	3660 x 2440
	10.88	3660 x 2440
	12.88	3660 x 2440
ComfortHush™		
Clear	6.5	3660 x 2440
	10.5	3660 x 2440
Neutral	6.5	3660 x 2440
	10.5	3660 x 2440
Grey	6.88	3660 x 2440
	10.88	3660 x 2440
Translucent	6.88	3660 x 2440
	10.88	3660 x 2440

PERFORMANCE

VLam Hush™ and ComfortHush™ are both laminated Grade A Safety Glass (AS/NZS2208)

WARRANTY

For warranty information please visit our website
www.viridianglass.com